

Superswitch

USER MANUAL & TERMS

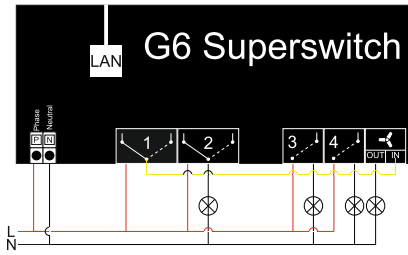


Fig. 1 Wiring schematic of Fan and Load (1-way switch configuration)

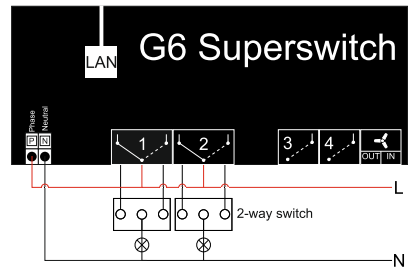
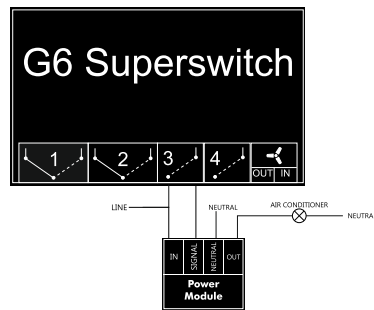


Fig. 2 Wiring schematic of Load (2-way switch configuration)



LEGEND :

N - Neutral input
L - Line input (85-270 VAC)
FIN - Fan Input
FOUT - Fan Output
LAN - RJ45 Connection for Glow
1 - Switch 1, 2 - Switch 2

INCLUSIONS :

Superswitch
User Manual
Warranty Card

SPECIFICATIONS :

Max load per channel: 3A/230 VAC, 50/60Hz
Working temperature: - 10°C up to 50°C
Radio protocol: WiFi 802.11 b/g/n
Frequency: 2400 - 2500 Mhz
Operational range: up to 10 m indoors (depending on local construction)
Peak Power Consumption: 4.35 watt
Nominal Power Consumption: 1.4 watt
Switching technology : Electromechanical
Fan Technology : 5 Speed humming free

PRECAUTIONS :

- Do's**
- Clean the Device with soft damp cloth.
- Don'ts**
- Do not use sharp or edgy objects on or around the Device.
 - Do not use any abrasive cleaners while cleaning.
 - Do not remove the touch panel in case of any problem.
 - Do not operate the Device without the top plate.

Instructions for setup of Amazon Alexa app
Youtube Video Name : G6 Alexa Skill setup
Link : <https://youtu.be/TIjXa1bTWts>

Instructions for setup of Google Home app
Youtube video name : G6 Google Action Setup
Link : <https://youtu.be/O5WuQYcejKc>

Instructions for Setup of Superswitch
Youtube Video Name : G6 Superswitch Setup
Link : <https://youtu.be/BlecBLzoRio>

INDICATORS AND OPERATION :

- Blue Led indicates that the switch is "ON"
- White Led indicates that the switch is "OFF"
- Blinking of Red Led indicates that the Superswitch is in hotspot mode and is waiting to be configured.
- Steady Red Led indicates that the Superswitch is not connected to the internet.
- Blinking of Blue Led indicates that Credentials are received from nearby device.

INSTALLATION PROCEDURE :

- Tools required for the installation of device - screw, screwdriver, wire cutter, wire stripper and plier.
- Turn off the main power supply.
- Remove the old switchboard (if any) and clean the metal gang box to avoid any dust or other particles.
- Label the wires while removing from old switchboard
- Remove the top plate of the Device, make sure not to drop the top plate while dismantling.
- Strip the wires to an appropriate length.
- Identify Line and Neutral wires and connect them to power supply as shown in fig 1.
- Connect wires to green connectors of the Superswitch. Make sure the connections are as per fig 1 or fig 2.
- Mount bottom plate onto gang box using screws and screw driver.
- Mount the top plate onto bottom plate. You would hear a click noise from all four corners confirming the top plate is mounted correctly.
- Turn on the power supply only after complete installation is done as the touch sensitivity is calibrated on first boot of the Device.

SUPPORT :

g6superhomes.in/support.html

TROUBLESHOOTING :

Hardware:

- If LED indications of Superswitch are off - Make sure power supply is properly connected to Superswitch(as per fig 1. & fig 2)
- If you are unable to switch on/off using touch functionality Turn respective MCB off, wait for 20 seconds and then turn back on the MCB to re calibrate the Superswitch sensors
- If you are unable to turn the load on/off - Check wiring/ termination as per fig. 1 or fig. 2.

Software:

- If red Led is glowing - Check Internet/Wifi availability
- If red Led is blinking - Follow Superswitch setup instructions
- If devices are not showing on mobile app -
 - Check if "G6 Superhomes" skill is enabled on Amazon Alexa app OR "G6 Superhomes" Action is linked to Google Home App
 - Make sure Superswitch setup was done correctly
 - Discover Devices on Amazon Alexa App OR Refresh page on Google Home app
- If you are unable to trigger loads through mobile app even when there is no red led indication - Check if Xtend is properly plugged in.

Manufacturer :

G6 Superhomes,

Mob. : +91 7201 049 049

E-mail : info@g6superhomes.in

Web. : www.g6superhomes.in

Privacy Policy : <https://g6superhomes.in/assets/doc/G6-Privacy-Policy.pdf>